

790-960 MHZ, X-POL, 65 DEG, 17.5 DBI, MET

ERICSSON BASE STATION ANTENNA

Ericsson Base station antennas are premium, quality products that cover a wide range of applications and mobile systems. They are optimized to provide excellent performance in demanding network planning scenarios. With Ericsson antennas you can enjoy the superior performance of an all Ericsson radio solution.

Easy network tuning

A manually adjustable, Electrical Tilt (MET) control enables easy and accurate adjustments of the beam downtilt with a simple turning of a knob. The extensive tilt range facilitates effective and flexible radio network planning.

An optional Remote Electrical Tilt Unit (RETU) makes it possible to quickly and easily upgrade the antenna to Remote adjustable Electrical Tilt (RET) control. The RETU is available in two versions. Either with an Ericsson RET interface or with a 3GPP/AISG2.0 interface.

Rugged and lightweight

A rugged and durable lightweight design ensures easy installation and years of trouble-free operation. Long neck connectors simplify optional connector sealing.

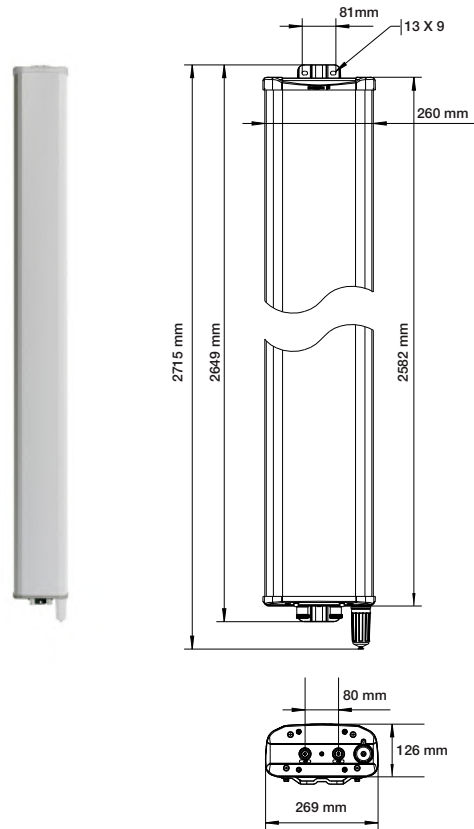


Accessories

Mounting clamps for mast diameter 50-115 mm are included with the antenna.

Optional Accessories

- For mechanical downtilt mounting, use downtilt kit SXA 120 103/6 together with mounting clamps
- Ericsson interface RETU, KRY 121 67/1
- 3GPP/AISG2.0 interface RETU, KRY 121 67/2



TECHNICAL SPECIFICATION FOR ERICSSON ANTENNA KRE 101 2031/1

ELECTRICAL SPECIFICATIONS

Polarization:	+45° and -45°		
Electrical downtilt range (adjustable):	0°-10°		
Frequency range:	790-862 MHz	824-894 MHz	880-960 MHz
Gain:	17.1 dBi	17.2 dBi	17.5 dBi
Horizontal half-power beam width:	68°	68°	67°
Vertical half-power beam width:	8.0°	7.8°	7.2°
Vertical side lobe suppression:	>15 dB		
Front-to-back ratio (power), 180 ±45°:	> 25 dB		
Isolation:	> 30 dB		
VSWR:	< 1.5		
Impedance:	50 ohm		
Intermodulation IM3:	< -150 dBc (2 x 43 dBm carrier)		
Max power per input:	400 W		

MECHANICAL SPECIFICATION

Main dimensions (HxWxD):	2582 x 260 x 126 mm
Weight:	16.8 kg
Input connectors:	2 x 7-16 female

ENVIRONMENTAL SPECIFICATIONS

Max wind velocity, normal operation:	200 km/h (56 m/s)
Max wind velocity, non-destructive:	250 km/h (70 m/s)
Wind load at 42m/s frontal:	785 N
lateral:	255 N
rear:	830 N
Temperature range, normal operation:	-40 to +55 °C
Temperature range, non-destructive:	-55 to +70 °C